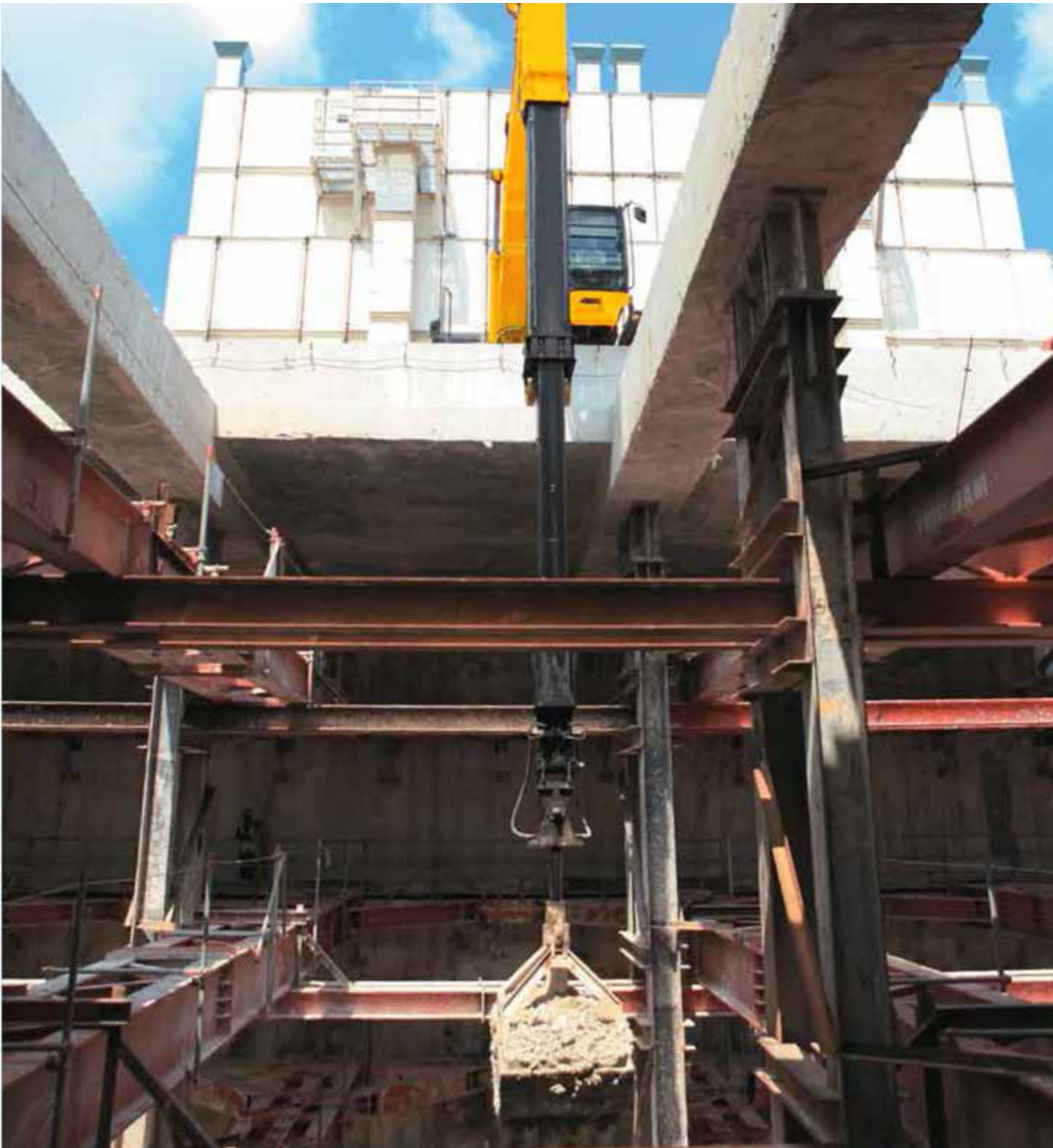
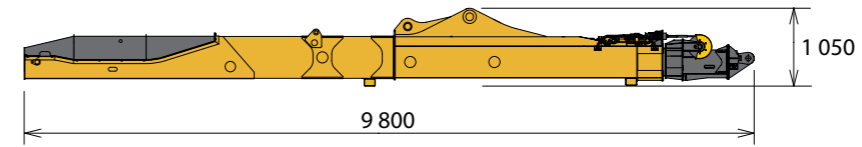


# Product Introduction



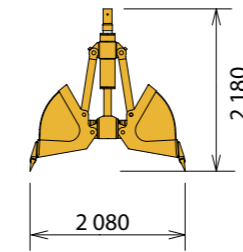
## Technical specifications

### Telescopic Arm

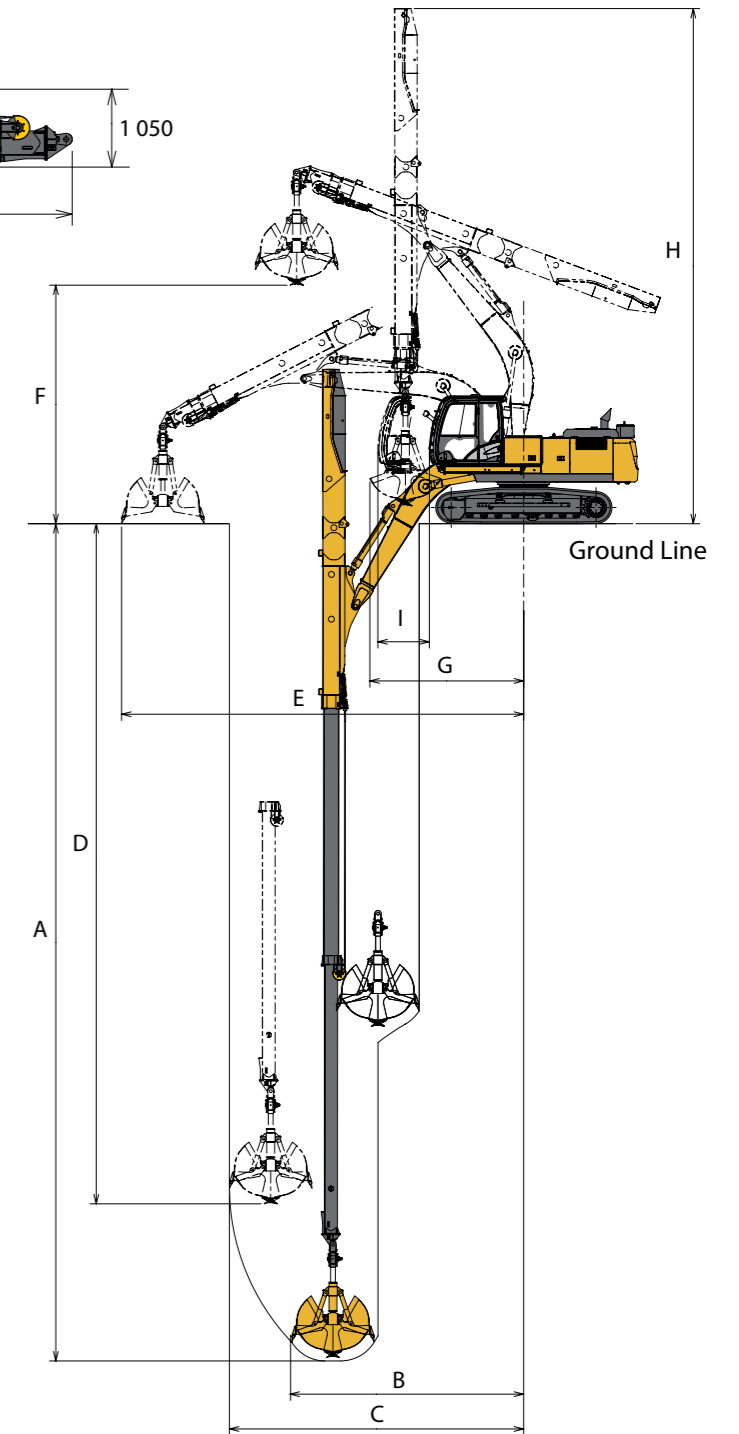


Width: 680 mm Weight: 3 330 kg

### Clamshell Bucket



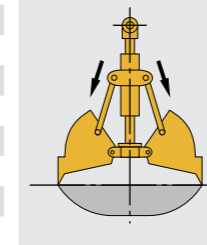
Width: 940 mm Weight: 1 240 kg



### CLAMSHELL BUCKET

Bucket type		
Bucket capacity	m <sup>3</sup>	0.8
Max. digging force	kN (kgf)	59.0 (6 020)
Max. height	mm	2 500
Opened max. height	mm	2 110
Closed width	mm	1 800
Opened width	mm	2 080
Bucket width	mm	910
Teeth number		7
Weight	kg	1 240

### Shell push type



Unit: mm

Telescopic arm type	Hydraulic cylinder + wire rope
Telescopic arm system	
A Max. vertical digging depth	21 150
B Radius at max. vertical digging depth	5 860
C Max. vertical digging radius	7 450
D Depth at max. vertical digging radius	17 140
E Max. working radius	10 170
F Max. dumping height	6 050
G Min. front swing radius	3 880
H Height at min. front swing radius	13 040
I Cab sliding distance	1 300